

FOOTING TYPE - 7
N.T.S

FOOTING TYPE - 8
N.T.S

FOOTING TYPE - 9
N.T.S

FOOTING TYPE - 10
N.T.S

FOOTING TYPE - 11
N.T.S

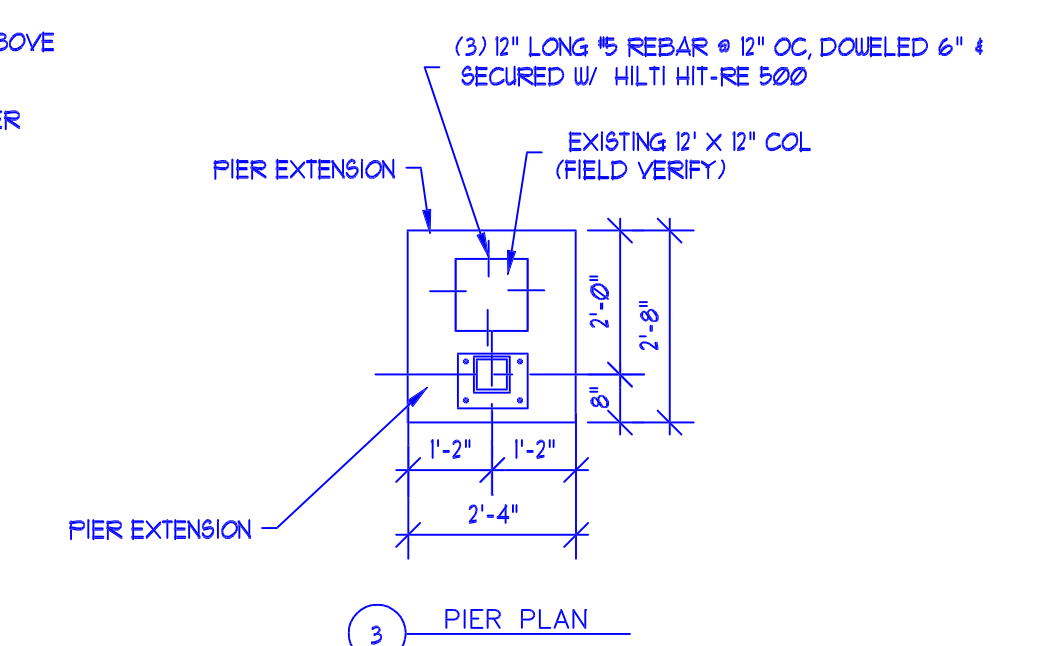
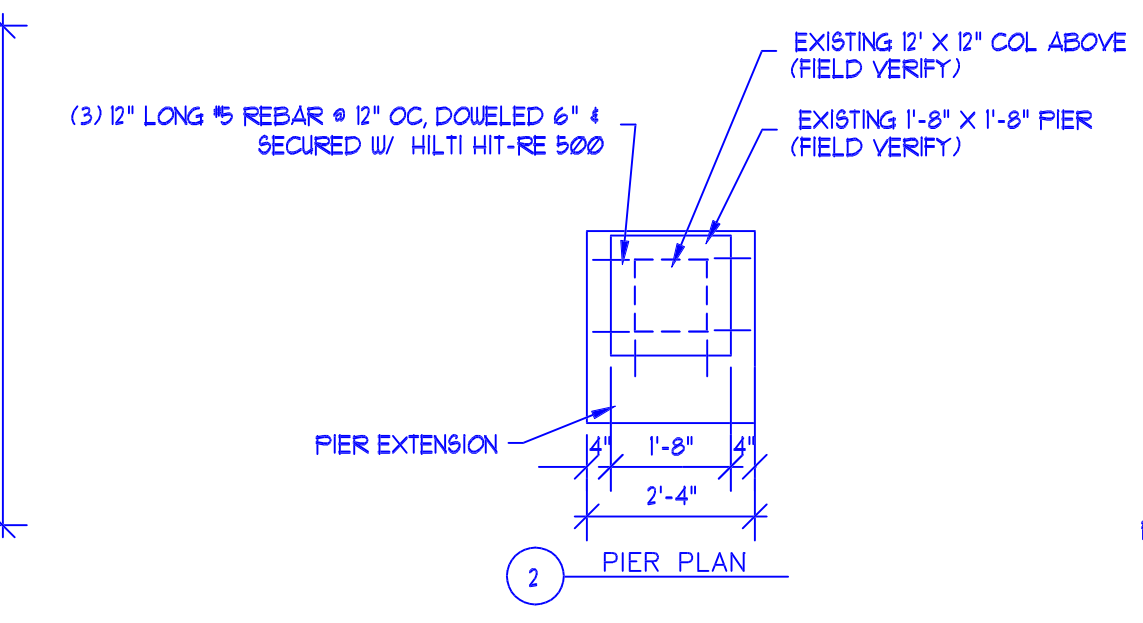
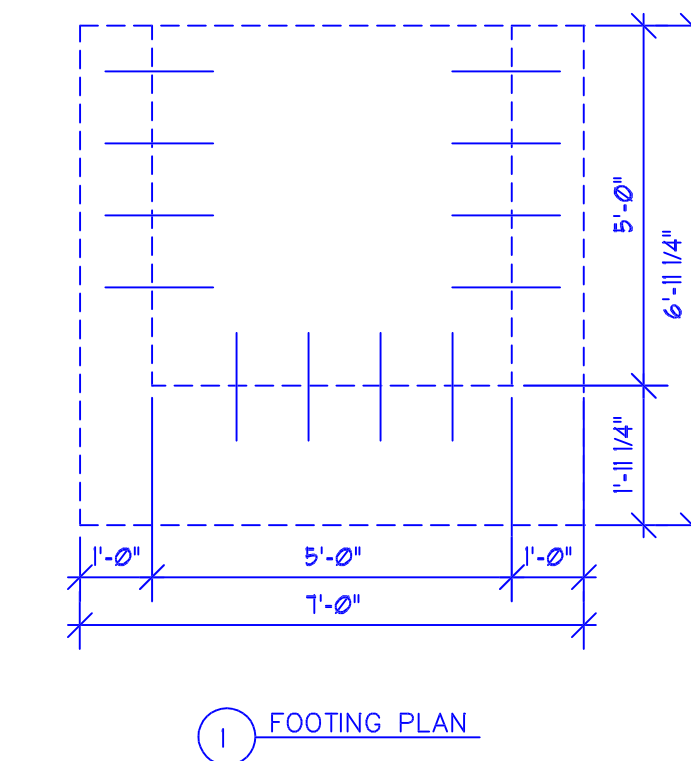
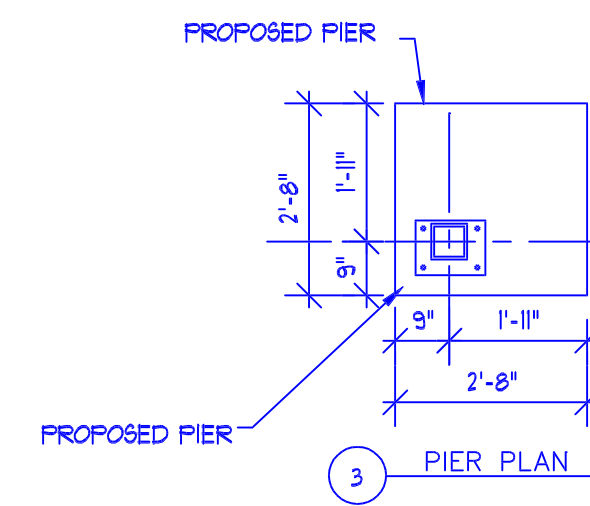
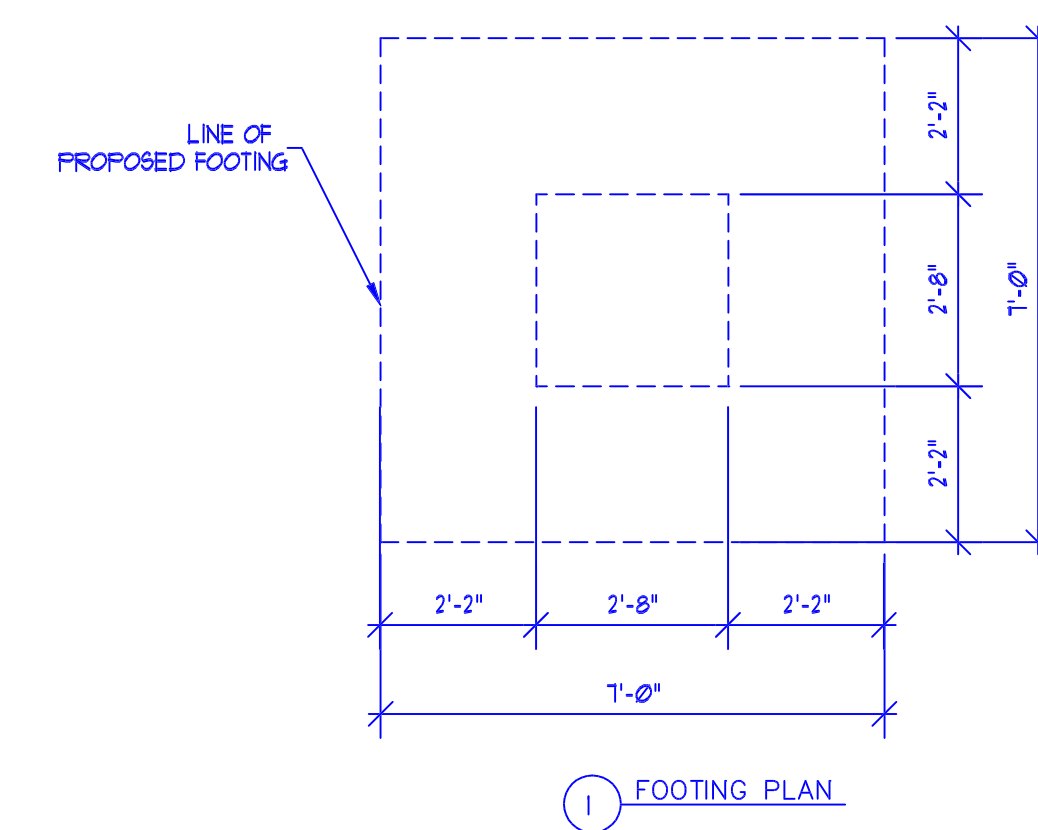
SEE SECTION - 1 FOR SECTION EXCLUDING FOOTING EXTENSION

SEE SECTION - 1 FOR SECTION EXCLUDING FOOTING EXTENSION

SEE SECTION - 1 FOR SECTION EXCLUDING FOOTING EXTENSION

SEE SECTION - 1 FOR SECTION EXCLUDING FOOTING EXTENSION

SEE SECTION - 1 FOR SECTION EXCLUDING FOOTING EXTENSION



FOOTING TYPE - 12
N.T.S

FOOTING TYPE - 13 (W/O FOOTING EXTENSION)
FOOTING TYPE - 13-E (SHOWN)
N.T.S

SEE FOOTING TYPE - 2 FOR SECTION

SEE SECTION - 1 FOR SECTION

PROYEKT STUDIO, LLC
ARCHITECTURE, ENGINEERING

4121 N. Pulaski Ave., Suite 1
Chicago, IL 60641
P 773-588-8882 / F 773-588-8885

NOTICE
THESE DRAWINGS, SPECIFICATIONS, DESIGN, AND DETAILS ARE AND SHALL REMAIN THE PROPERTY OF THE ARCHITECT. NO PART SHALL BE REUSED IN ANY FORM WITHOUT THE EXPRESSED WRITTEN PERMISSION OF THE FIRM. ALL RIGHTS ARE HEREBY SPECIFICALLY RESERVED.
COPYRIGHT YEAR 2009, PROYEKT STUDIO, LLC

**PROPOSED
RETAIL CENTER REMODEL**
213 - 240 GOLD COAST LANE
CALUMET CITY, IL.

REVISIONS			DATE
NO.	DATE	DESCRIPTION	
			2/6/09
			JOB # 0813Z
			SHEET 4
			OF 36 SHEETS